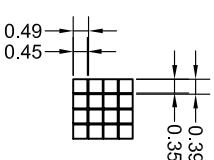
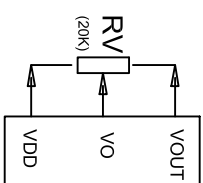
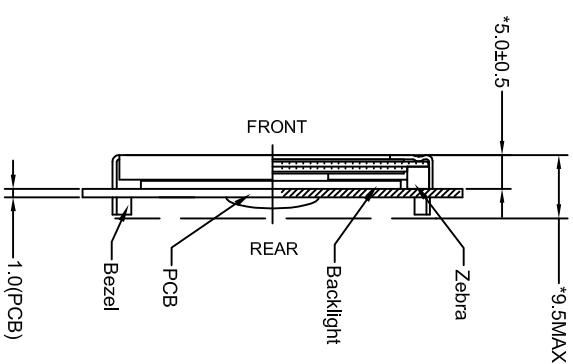
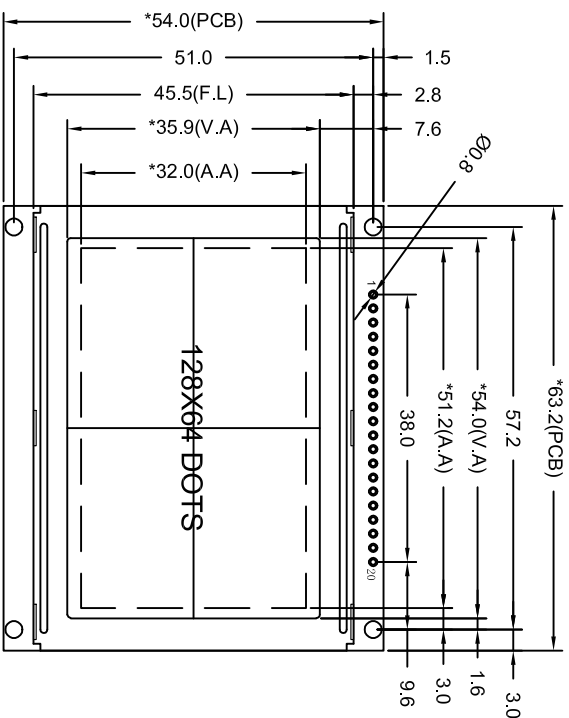


Customer approval : _____



DOTS SIZE
SCALE 5:1

PIN	1	2	3	4	5	6	7	8	9	10
CONNECTION	VSS	VDD	VO	RS	R/W	E	DB0	DB1	DB2	DB3
PIN	11	12	13	14	15	16	17	18	19	20
CONNECTION	DB4	DB5	DB6	DB7	/CS1	/CS2	/RST	VOUT	BLA	BLK

- Specification:
- 1). Driving: Duty:1/64, Bias:1/9, VOUT:-4.9V,VO:-4.6V, VDD:3.3V
 - 2). Viewing Direction: 6 O'clock
 - 3). Display mode: STN/Y-G/P/Positive/Transflective
 - 4). Operating temp.: -20°C~+70°C
Storage temp.: -30°C~+80°C
 - 5). IC: AIP31107andAIP31108
 - 6). Backlight: Edge Y-G
 - 7). Dimensions with mark "*" are important,
with mark "()" are referenced
 - 8). All the raw materials are RoHS compliant

REV	REVISION RECORD	DATE	MODEL NO. 模组型号				GENERAL TOL: 未注公差	
A	FIRST ISSUE	2011/07/30	SYB12864XV10-5C9YL3N7R-B5NG				±0.3	
B			APPROVED BY 审核	CHECKED BY 检查	DRAWING BY 绘图	PAGE: 页面1 OF 1		
C			Liu	Francis	Luoxian	PROJECTION 三角法		
D			2011/07/30	2011/07/30	2011/07/30	UNIT: 单位mm		



深圳市三元晶科技有限公司
ShenZhen TCCLCD HI-Tech Co., Ltd.