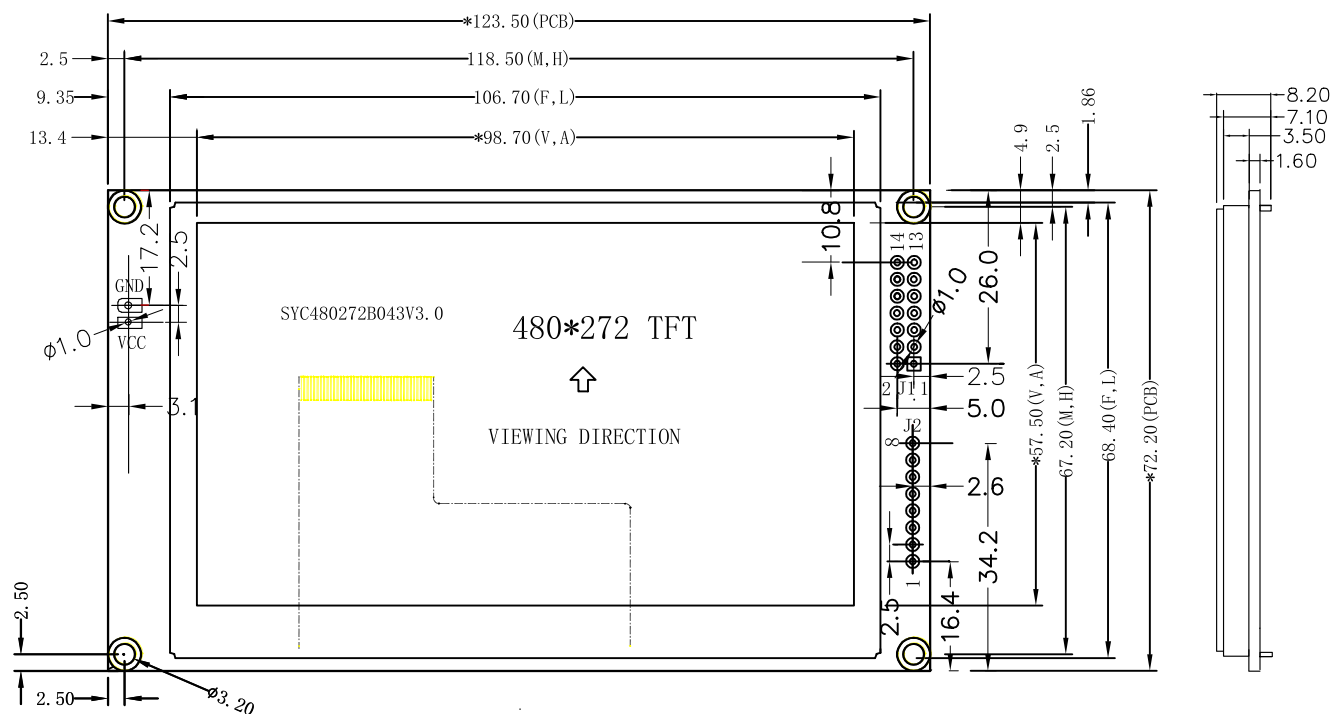


Customer approval :




J2(FLASH)	
NO.	SYMBOL
1	CSO
2	CSI
3	SO
4	SI
5	SCLK
6	VDD
7	GND
8	MCURST

J1	
NO.	SYMBOL
1	SCS#
2	SCLK
3	MCU MOSI
4	MCU MISO
5	GND
6	GND
7	RESET
8	INT
9	MCU IO
10	T-CLK
11	T-CS
12	T-DIN
13	T-DOUT
14	T-IRQ

### Specification:

- 1). Driving:VDD:3.3V
- 2). Viewing direction: 6 o'clock
- 3). Display mode: TFT 480\*272 56K Colour
- 3). Operating temp.:0°C~+50°C
- 4). Storage temp.: -10°C~+60°C
- 5). Control IC: TC76687
- 6). BACKLIGHT :VBL:5.0V IBL:200mA 500cd/m<sup>2</sup>
- 7). All the raw materials are RoHS compliant
- 8). Interface:SPI

REV	REVISION RECORD	DATE	 <b>深圳市三元晶科技有限公司</b> ShenZhen TCCLCD HI- Tech Co., Ltd.			
A	First issue	5/23	MODEL NO.	SYC480272B043V30-3C64ALN2R-B2NC		GENERAL TOL: ± 0.3
B			APPROVED BY	CHECKED BY	DRAWING BY	PAGE: 1 OF 1 UNIT: mm
D			Liu 2018/05/23	Liaoxuexian 2018/05/23	Luoxian 2018/05/23	PROJECTION 